

NR-SNK5545SB

Insert Type Single Bowl Kitchen Sink

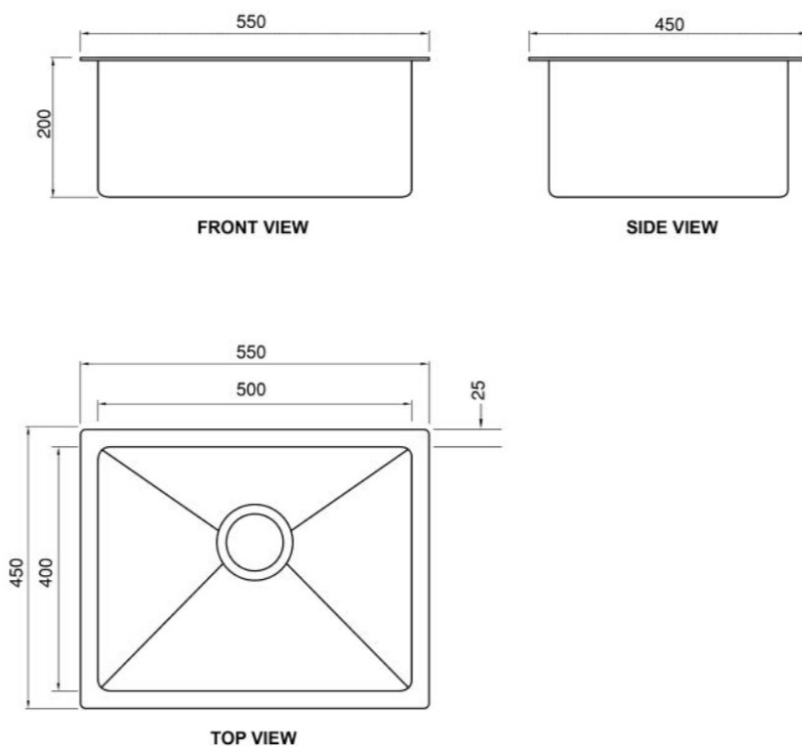


Product Specification

- Dimension : 550 (L) x 450 (W) x 200 (H) mm
- Material : Stainless Steel 304



Technical Drawing



Copyright © Rigel Technology (S) Pte Ltd All rights reserved.

Rev	1.0
Date	01.11.2021

DISCLAIMER : While every effort has been made to ensure factual accuracy, the information presented is subject to changes due to requirements in different sites, markets and / or countries. Rigel reserves the right to make the necessary amendments at any time without prior notice.